



LASERBEAM PRINTER

**F-1000**



# PARTS CATALOGUE

10-11-1998

# F-1000 Parts Catalogue

## Table of Contents

Covers (Fig.1).....	3
Upper Frame (Fig.2a).....	5
Face Down Unit (Fig.2b).....	7
Upper-Half Electrical (Fig.3).....	9
Lower Frame (Fig.4).....	11
Lower-Half Electrical (Fig.5).....	13
Controller (Fig.6).....	15
Motor and Main Drive Gears (Fig.7).....	17
Paper-Feed Assembly (Fig.8).....	19
Paper-Feed Electrical (Fig.9).....	21
Developer (Fig.10).....	23
Scanner (Fig.11).....	25
Fuser (Fig.12).....	27
Harnesses – Upper Half (Fig.13).....	29
Harnesses – Lower Half (Fig.14).....	31
Harnesses – Controller Etc. (Fig.15).....	33

## Introduction

The figures which follow depict the major assemblies of the printer or option, broken down into components. Following each figure are the list giving the following information:

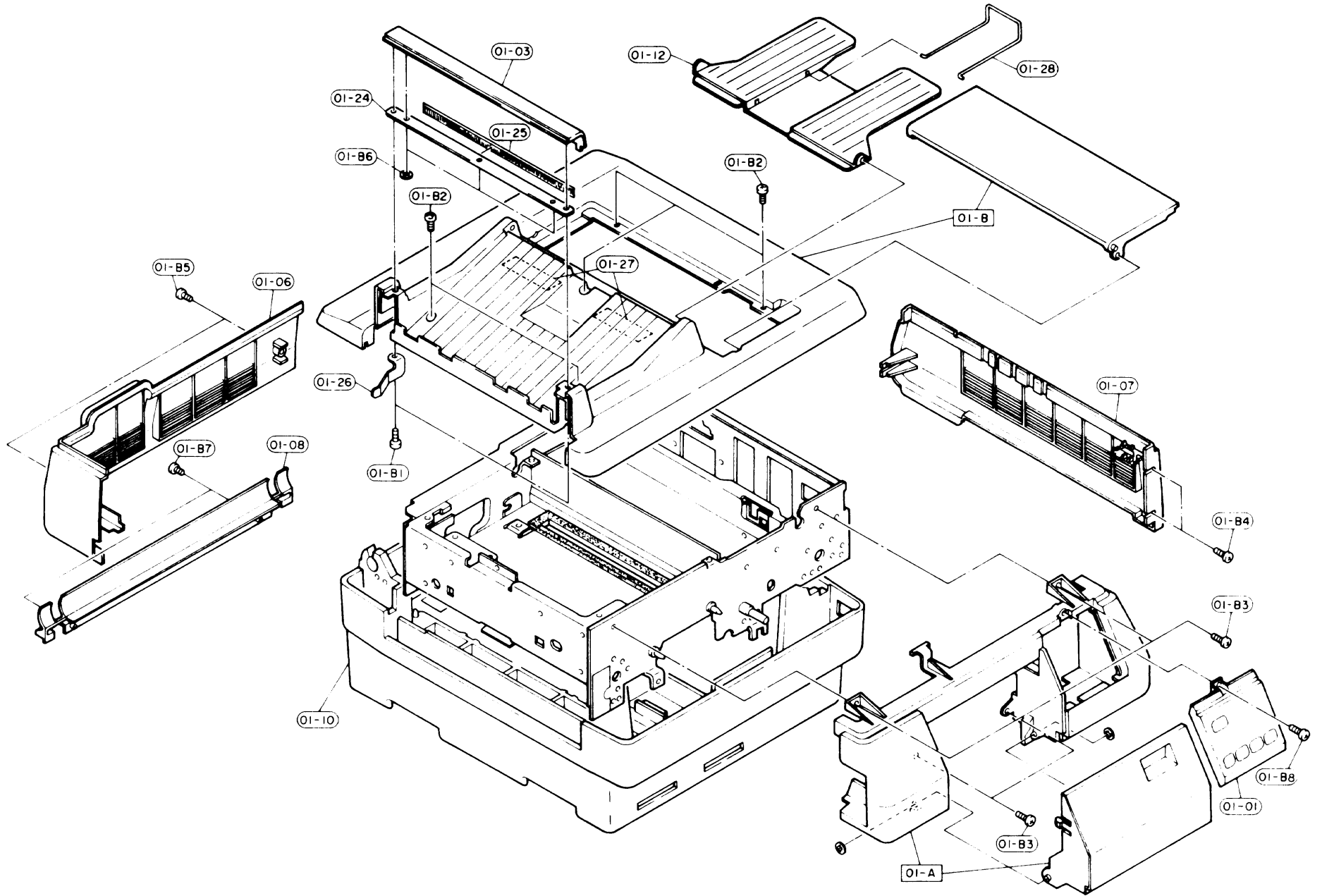
'Ref No.' ..... Reference number which corresponds to the parts in the figure  
'Part code'..... Part code which identifies the part  
'Part description' ..... A brief description of the part  
'Quantity'..... Quantity of the part used in the printer or option

Only the parts highlighted in BOLD should be ordered. All other parts are for reference only and are not stocked.

## Consumables and Maintenance Kits

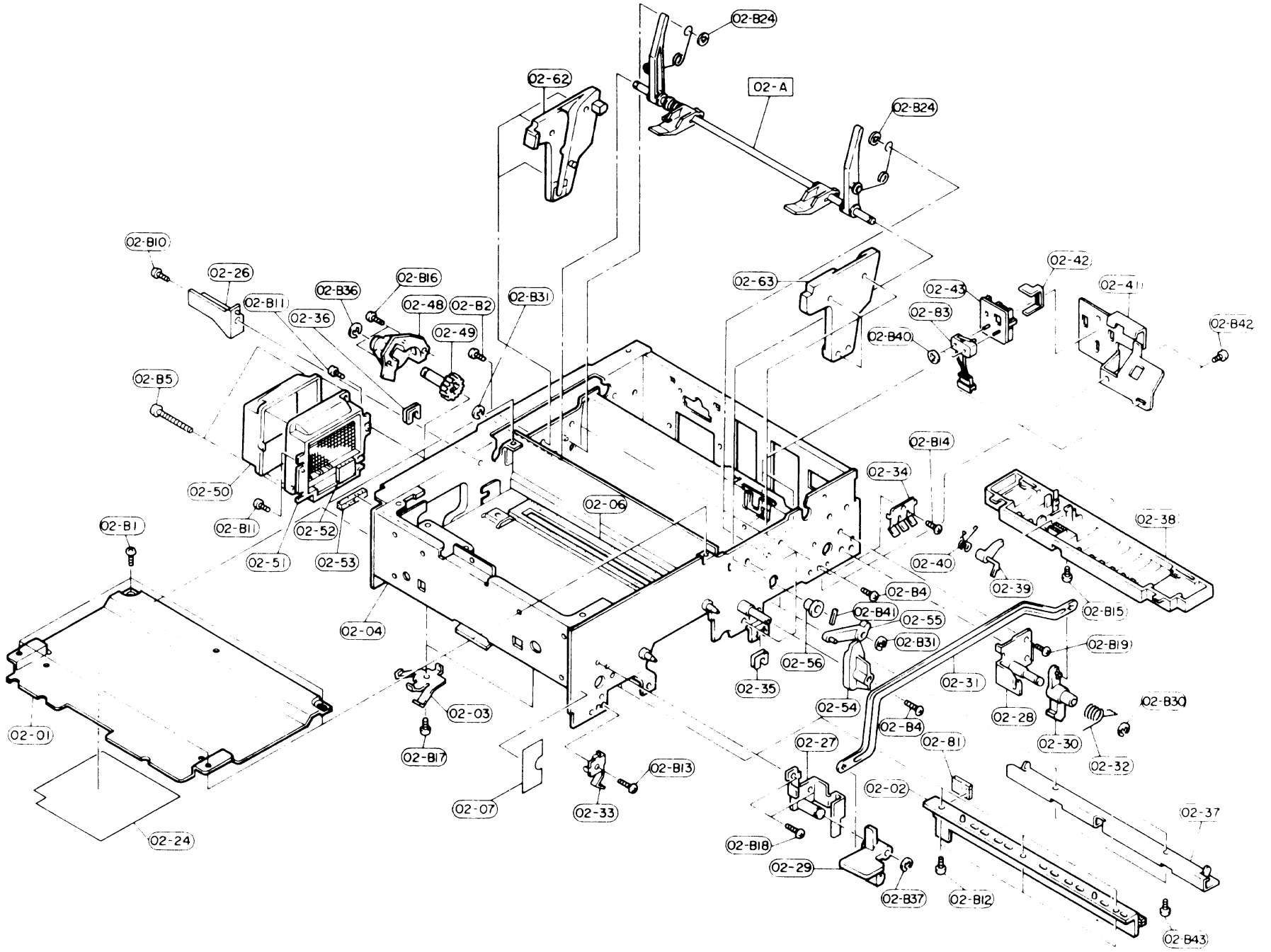
TK-4	Toner Kit
<b>DK-3</b>	<b>Drum (10K pages)</b>
DV-4	Developer (50K pages)
<b>FK-4</b>	<b>Fuser (80K pages)</b>

Fig.1 – Covers



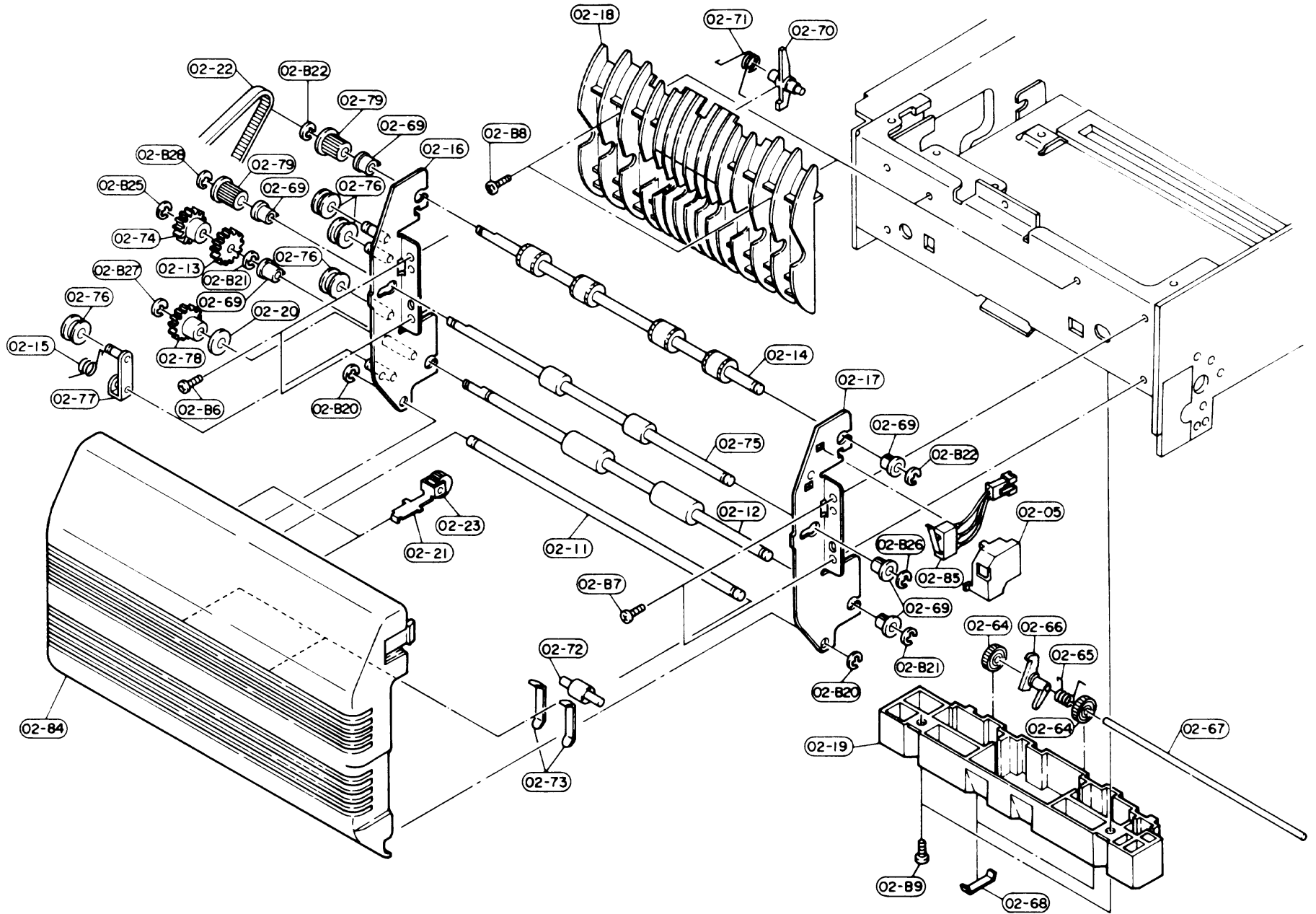
Ref No.	Part Code	Description	Quantity
01-00A	5AAVCOVER115	Assy F Cov 220-240V	1
01-00B	5MVB986SH006	Assy Top Cover	1
01-001	5AAFZF1000*1	Assy Keyboard	1
01-003	5MVL832SH002	FD Subcover	1
01-006	5MVX876SH024	Rear Cover	1
01-007	5MVB873SH013	Cover Right	1
01-008	5MVX843SH002	Blind Cover	1
01-010	5AAMF1000*03	Assy Base	1
01-012	5MVX872SH001	Print Tray	1
01-024	5MML822SL006	Bracket Subcover	1
01-025	5MVX821XJ001	Discharger FD	1
01-026	5MMS323RD001	Plate FD Ground	1
01-027	5MVS623KF001	Sheet Top Cover	1
01-028	5MMW904LJ002	Holder Paper	1

Fig.2a – Upper Frame



Ref No.	Part Code	Description	Quantity
02-00A	5AAYF1010*63	Assy DLP Lock Lever	1
02-001	5MMZ871SL001	Cover Scanner Area	1
02-002	5AAMF1000*04	Assy Rail A	1
02-003	5MMX644LD002	Cleaner Press	2
02-004	5AAVFRAME045	Frame Assy	1
02-006	5MVS838RB003	Pad Scanner Seal	1
02-007	5MVS635CH001	Sheet Cover	1
02-024	5MVS663KF001	Plate Barrier Top	1
02-027	5MMX644SL001	Plate A Hook	1
02-028	5MMX444SL003	Plate B Hook	1
02-029	5MVX654DN001	Hook A Hinge	1
02-030	5MVX632DN001	Hook B Hinge	1
02-031	5MMX861SL001	Arm Hinge	1
02-032	5MMW172LJ003	Spring Hinge	1
02-033	5MMX474RJ001	Plate Ground C	1
02-034	5MMS334RJ001	Plate Ground A	1
02-035	5MVX221DB006	Guide Frame F	1
02-036	5MVX221DN005	Guide Frame R	1
02-037	5MVB773SB005	Guide Regist Roller	1
02-038	5MVB862SB001	Guide Upper M-Feed	1
02-039	5MVX422SB003	Actuator Sens M-Feed	1
02-040	5MMW161LJ008	Spring Sensor	1
02-041	5MMX653SL006	Bracket Interlock	1
02-042	5MVU122DB002	Lever Interlock	1
02-043	5MVX443DB001	Bracket Interlock	1
02-048	5MVX665CB01%	Bearing Drum	1
02-049	5MVG138DB002	Gear Drum Z30	1
02-050	5MVB773SB002	Nozzle B	1
02-051	5AAMW1****20	Filter Assy	1
02-052	5MVS229RB001	Seal Nozzle	1
02-053	5MVS519RB001	Seal	1
02-054	5MVX643CX001	Lever DLP CAM	1
02-055	5MVX622DB001	Lever DLP CAM B	1
02-056	5MVM177DJ001	Bushing R Drum	1
02-062	5MVX662SB011	Guide R DLP	1
02-063	5MVX662SB012	Guide F DLP	1
02-081	5MVS227RF009	Sheet Seal	1
02-083	5MVS622KF002	Switch Interlock	1

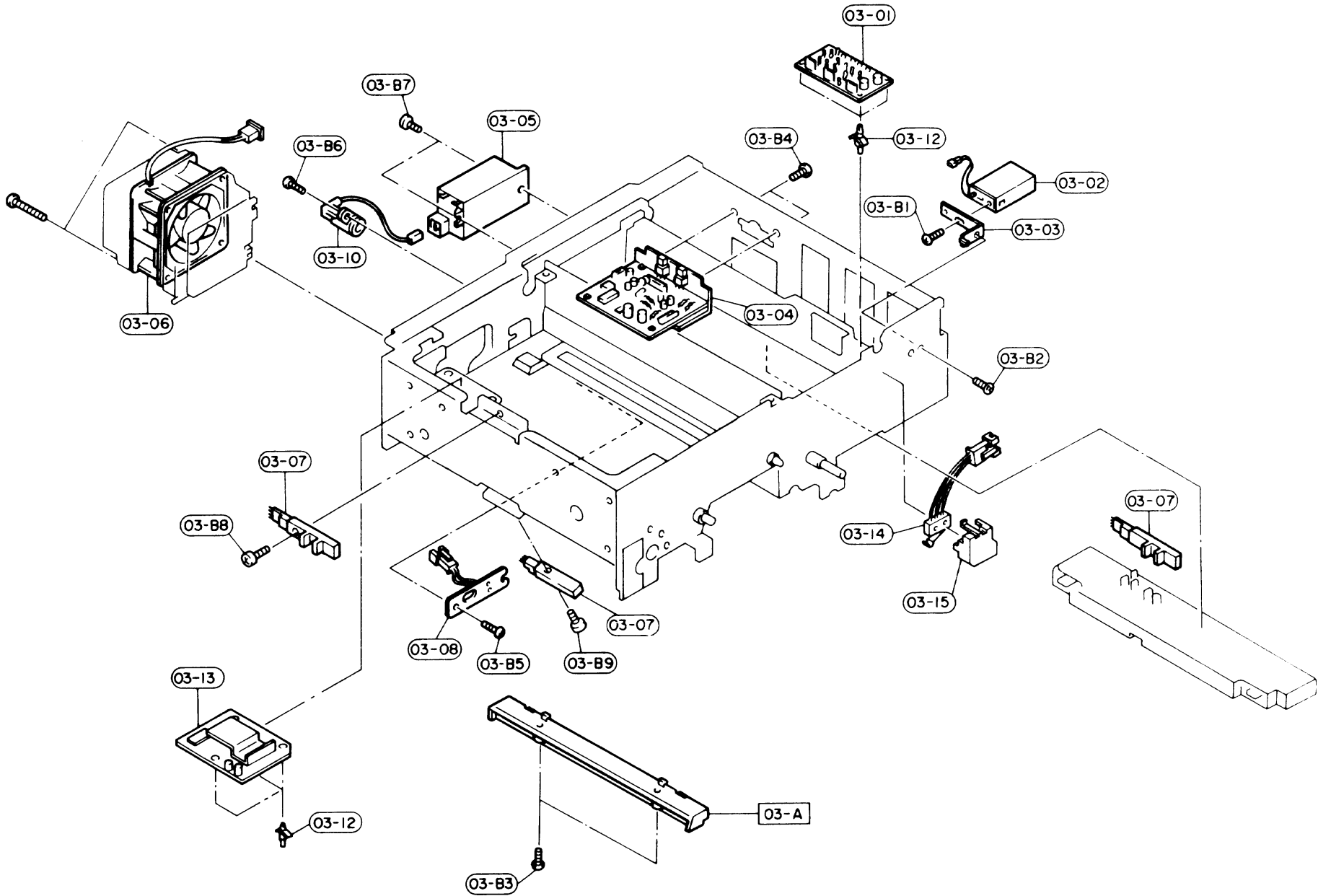
Fig.2b - Face Down Unit



Ref No.	Part Code	Description	Quantity
02-000	5AAYF1000*63	Face Down Unit	1
02-005	5MVB651SB003	Cover Switch	1
02-011	5MMT8668Z015	Shaft FD Cover	1
02-012	5MMT876SN013	Roller FD B	1
02-013	5MVG127DB003	Gear FD Z20	1
02-014	5MMT876SN014	Roller FD C	1
02-015	5MMW161LJ021	Spring Idle	1
02-016	5MMX765SL005	Plate FD Side R	1
02-017	5MMS767SL003	Plate FD Side F	1
02-018	5MVB773SB005	Guide FD	1
02-019	5MVB854CB001	Guide FD Paper	1
02-020	5MVM176DB002	Flange Pulley	1
02-021	5MMX311LD001	Bracket Ext Pulley	2
02-022	5MVX811RB001	Belt FD	1
02-023	5MVM123DB001	Pulley FD Feed	2
02-064	5MVM177DB003	POulley Outlet	2
02-065	5MMW161LJ012	Spring Jam Actuator	1
02-066	5MVX422DB002	Jam Actuator	1
02-067	5MMT421SL001	Bracket Idle	1
02-068	5MMU131LJ002	Spring FD Enter	2
02-069	5MVM176DN009	Bearing	6
02-070	5MVX422DB003	Jam Actuator FD	1
02-071	5MMW163LJ001	Spring FD Actuator	1
02-072	5MVM474DB001	Pulley FD B	2
02-073	5MMU131LD001	FD Pressure	4
02-074	5MVG127DN015	Gear Joint FD	1
02-075	5MMT876SN010	Roller Middle FD	1
02-076	5MVM177DB004	Pulley Idle Belt	4
02-077	5MMX421SL001	Bracket Idle	1
02-078	5MVG022DB001	Gear Belt Pulley	1
02-079	5MVG327DB001	Pulley Belt	2
02-084	5MVB876SH025	Cover FD	1
02-085		Switch Interlock	1

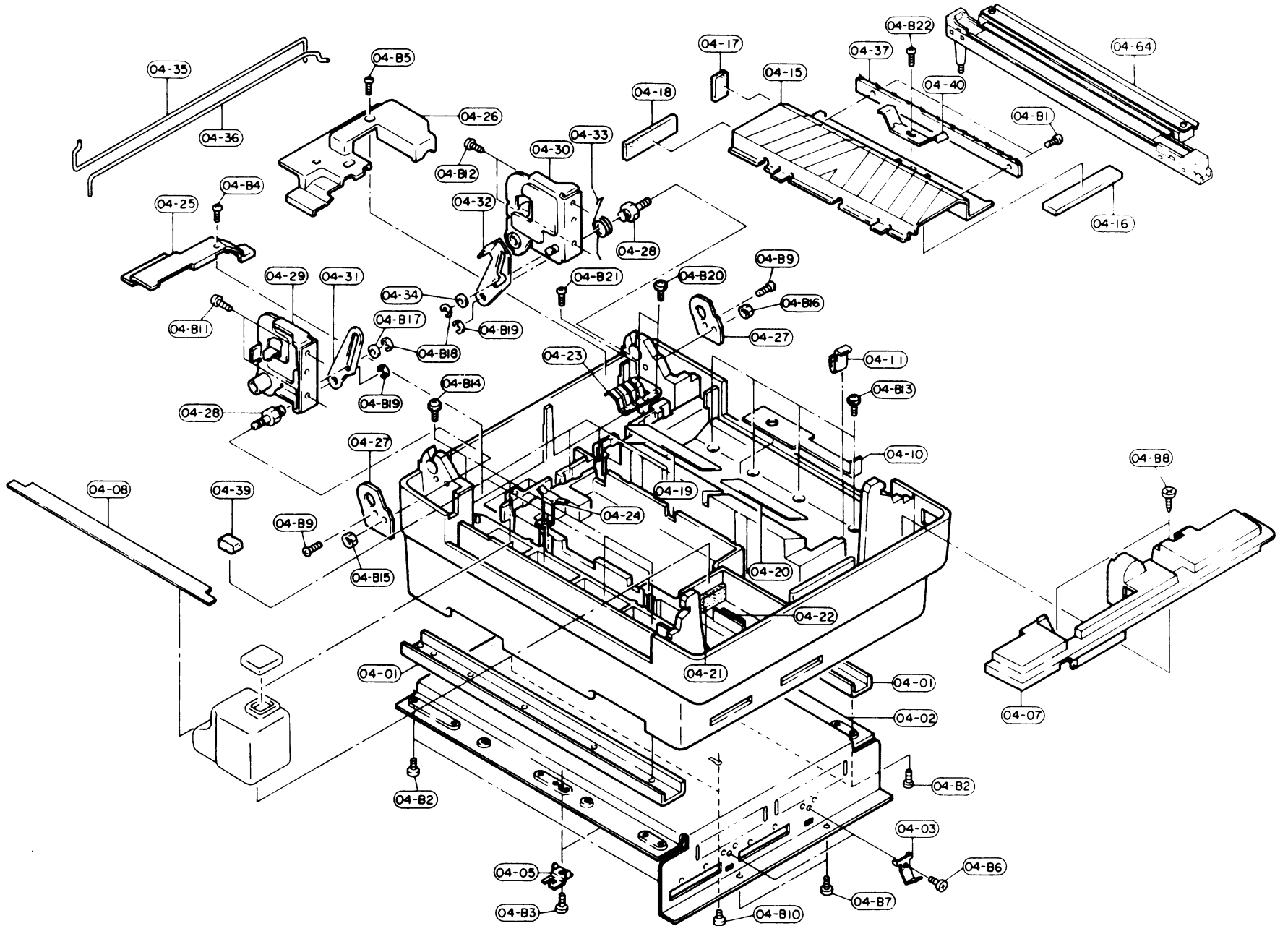


Fig.3 – Upper-Half Electrical



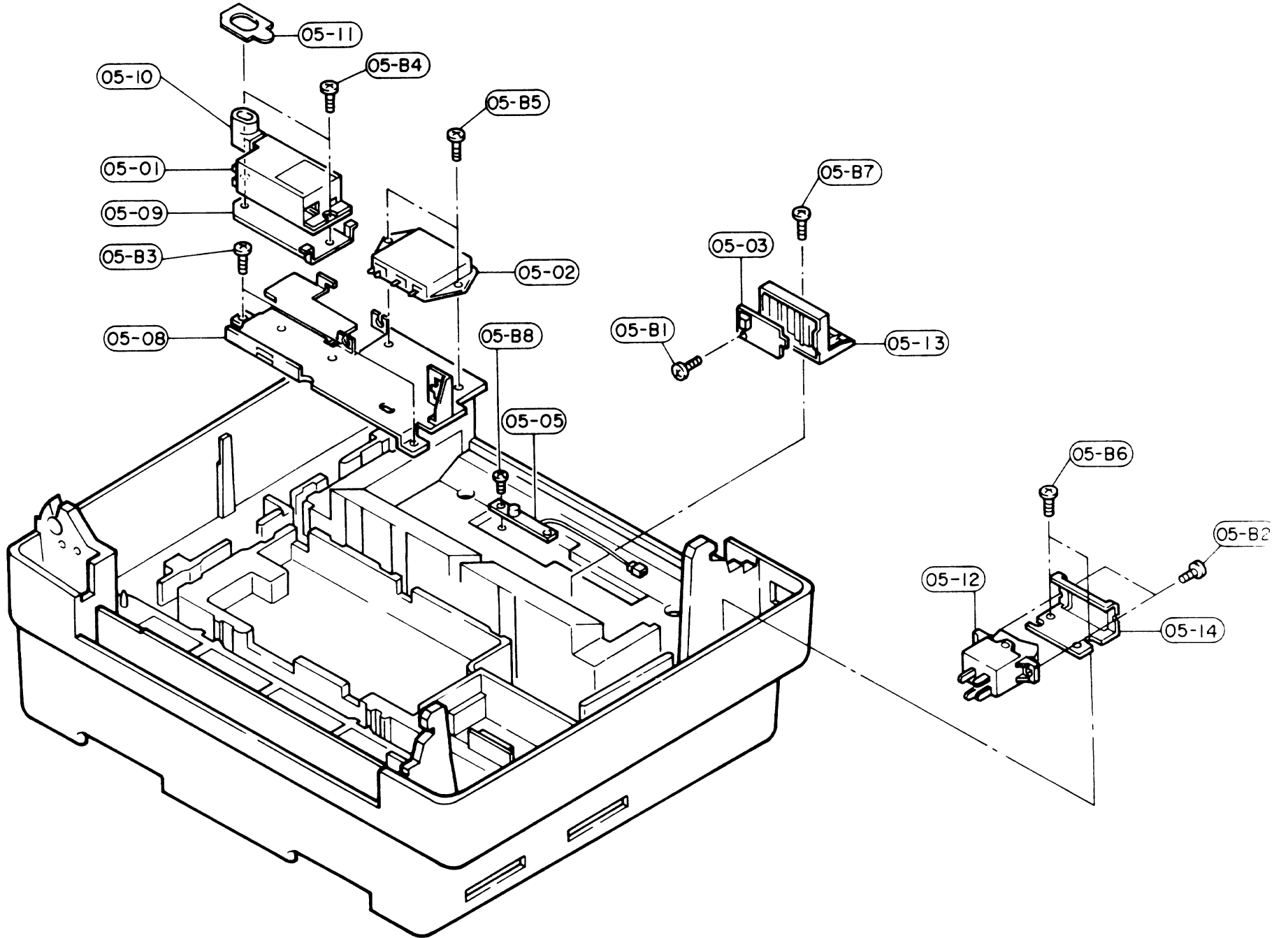
Ref No.	Part Code	Description	Quantity
03-0A	5AAYF1000*53	Eraser LED Assy	1
03-001	5ETNB60101***01	Assy PWB DLP Bias	1
03-002	5EZKD6Z02301*01	Counter Print	1
03-003	5MML252SL001	Bracket Counter	1
03-004	5AAPRZZ003AA	PWB Motor Control	1
03-005	5ETNB66202***01	Main HV Unit	1
03-006	5EZNF2403001*01	Fan DC	1
03-007	5ENXGP1A05HR*01	Photosensor	3
03-008	5AAPRZZ005AA	PWB Drum Life	1
03-010		Connect MCH	1
03-012		Support PWB	6
03-013	5AAPRZZC1004BH	Assy PWB Polygon	1
03-014	5AAXSW020GEA	Switch Interlock	1
03-015		Cover FD Switch	1

Fig.4 – Lower Frame



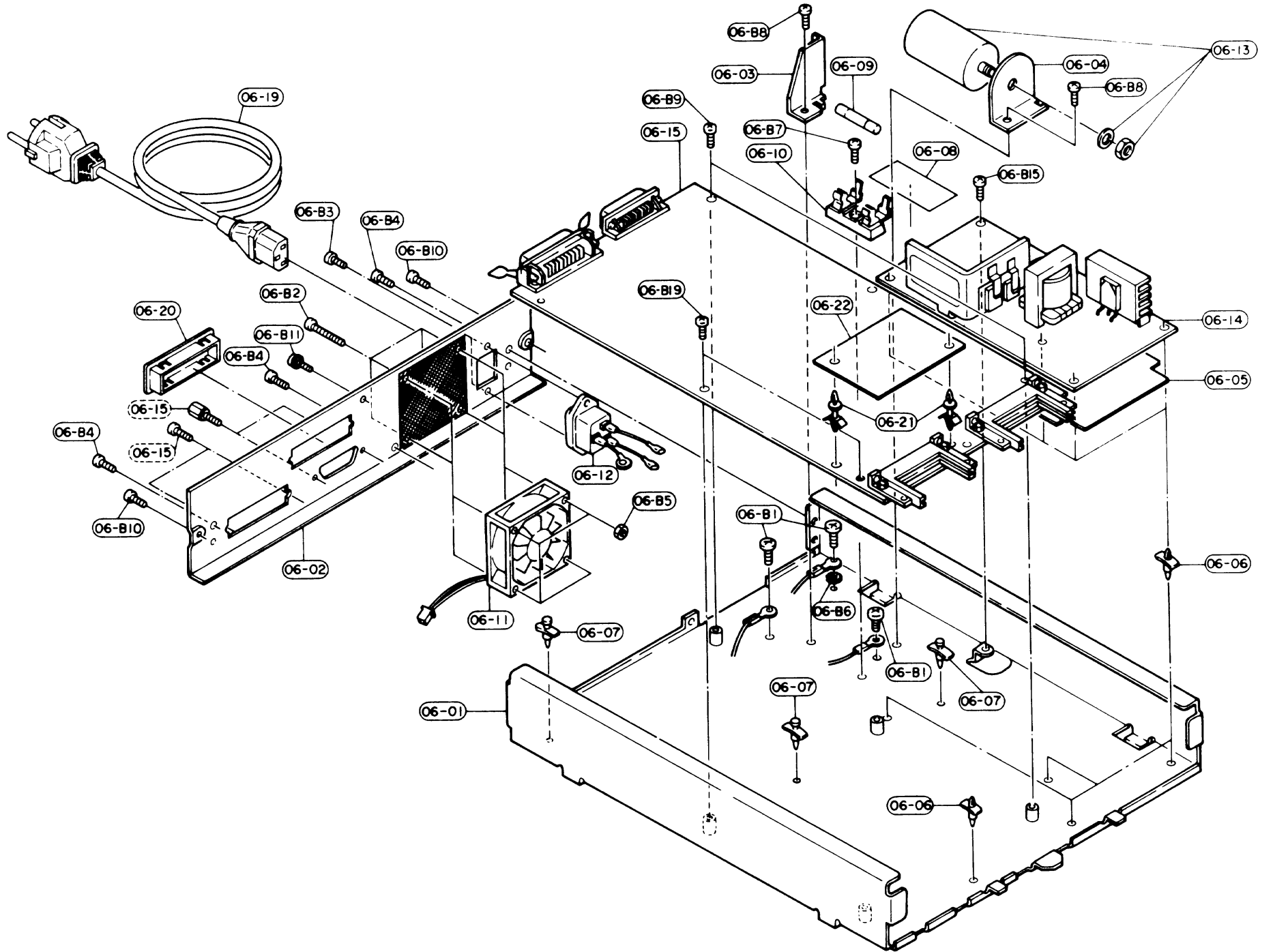
Ref No.	Part Code	Description	Quantity
04-001	5MMU832SL001	Support Base	2
04-002	5MMZ886SL001	Plate Sheild	1
04-003	5MML232RD001	Plate Ground	2
04-005	5MMX431RD002	Plate Ground	2
04-007	5MVB866SB002	Cover Inside F	1
04-008	5MVS836CB001	Plate Fuser	1
04-010	5MMS746SB001	Plate Sensor	1
04-011	5MMX222RJ001	Plate Ground Sensor	1
04-015	5MMU833SM001	Plate Paper Ramp	1
04-016	5MVS618RB005	Seal A	1
04-017	5MVS213RB005	Seal D	1
04-018	5MVS618RB003	Seal C	1
04-019	5MVS732KN002	Guide R	1
04-020	5MVS632KN001	Guide F	1
04-021	5MVS439RH002	Pad B Tank	1
04-022	5MVS428RH002	Pad A Tank	1
04-023	5MMX542RJ001	Plate B Ground	1
04-024	5MMX332RJ001	Plate Ground Fuser	2
04-025	5MVX764SB002	Cover Inside RB	1
04-026	5MVX764SB003	Cover Inside RA	1
04-027	5MMS657SL010	Plate Hinge Base	2
04-028	5MMT326LJ001	Pin Stopper	2
04-029	5MMX763SL006	Arm Frame L	1
04-030	5MMX763SL005	Arm Frame R	1
04-031	5MMS637SL003	Stopper L	1
04-032	5MML264SL001	Stopper R	1
04-033	5MMW172LJ004	Spring Stopper	1
04-034	5MMS226SL002	Stopper	1
04-035	5MMW908SM002	Rod Torsion A	1
04-036	5MMW908SM001	Rod Torsion B	1
04-037	5MMX852AJ001	Discharger Transfer	1
04-039	5MVB222RB001	Rubber Piece	5
04-040	5MMX641LJ001	Hold Corotron	1
04-041		Ass'y Actuator HVU	1
04-064	5AAUSHILD033	Assy TR Corotron	1

Fig.5 – Lower-Half Electrical



Ref No.	Part Code	Description	Quantity
05-001	5ETNB66201***01	HV Unit Transfer	1
05-002	5EZR1G012301*01	Relay SS 220-240V	1
05-003	5AAXAP002GEA	PWB Assy Cassette	1
05-005	5AAPRSS005BA	Assy PWB Paper	1
05-008		Base SSR Etc.	1
05-009	5AAVHOLDR016	Assy Actuator HVU	1
05-010	5MVX332XH001	Receptacle TC	1
05-011	5MVS533KN001	Blind	1
05-012	5ESC020103***01	Switch Power	1
05-013		Bracket. Sensor Cas.	1
05-014		Bracket Switch Power	1

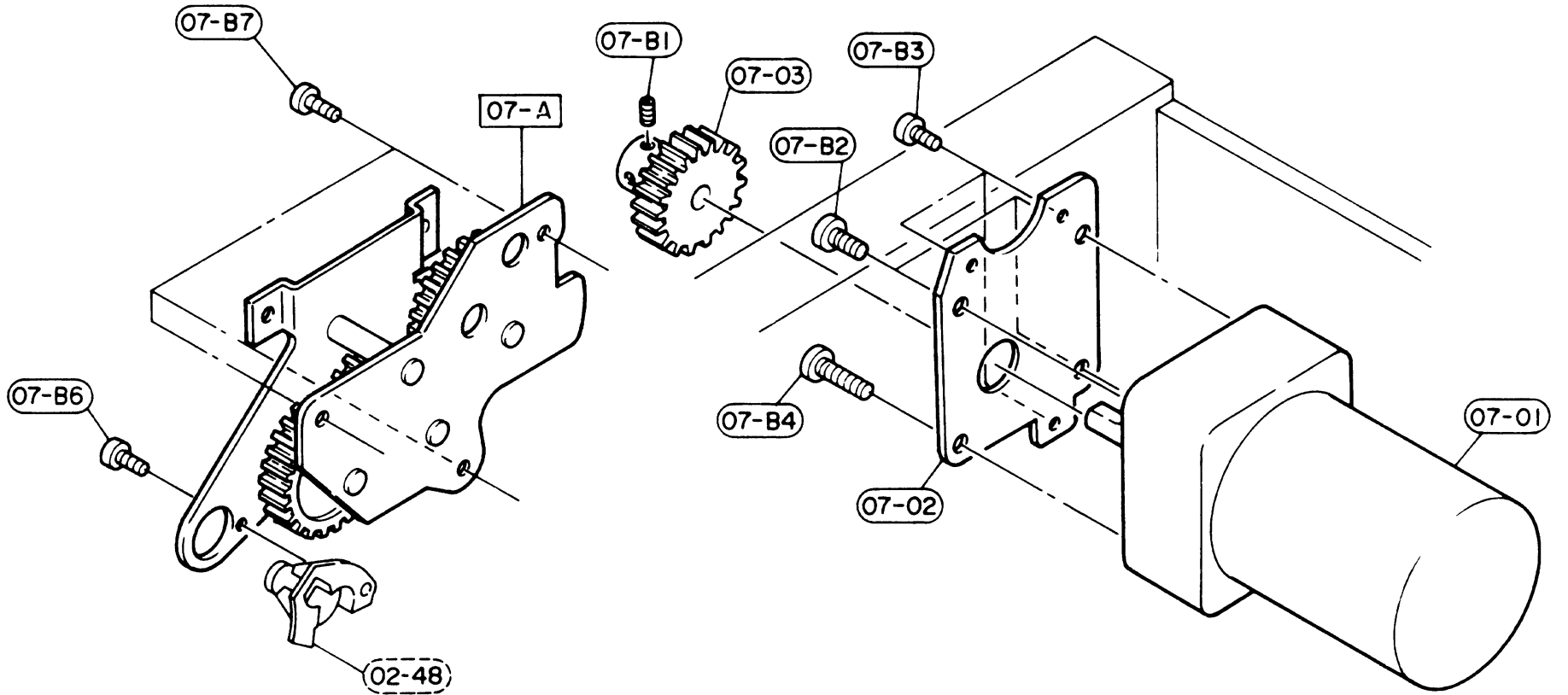
Fig.6 – Controller



Ref No.	Part Code	Description	Quantity
06-001	5MMU886SL002	Box Controller	1
06-002	5MML861SM001	Panel Rear	1
06-003	5MMX533SI001	Bracket Connector	1
06-004	5MML452SL002	Bracket Filter	1
06-005	5MVS875VF001	Insulator	1
06-006	5MVX221NN019	Spacer Locking	1
06-007	5MVX221NN022	Spacer Card	1
06-008	5MVL631WN49	Decal Fuse 220-240V	1
06-009	5EYFBQ50205**01	Fuse 220-240V	3
06-010	5EYHF102004**01	Block Fuse 220-240V	1
06-011	5EZNF2403401*01	Fan DC	1
06-012	5AACCNCPOGEA	Inlet Assy	1
06-013	5EFNZSB22100501	Filt Noise 220-240V	1
06-014	5AAEZF1000*2	Regulator Swing 240V	1
06-015	5AAPRCZG2005AH	PWB Assy 220-240V	1
06-018	5AACCNCH4GEA	Cable Ass'y	1
06-019	5AACAC278EEA	Cable Power 220-240V	1
06-020	5MVS627SH002	Cover Blind	1
06-021		PWB Support Nylon	1
06-022		PWB Ass'y 1MB RAM	1

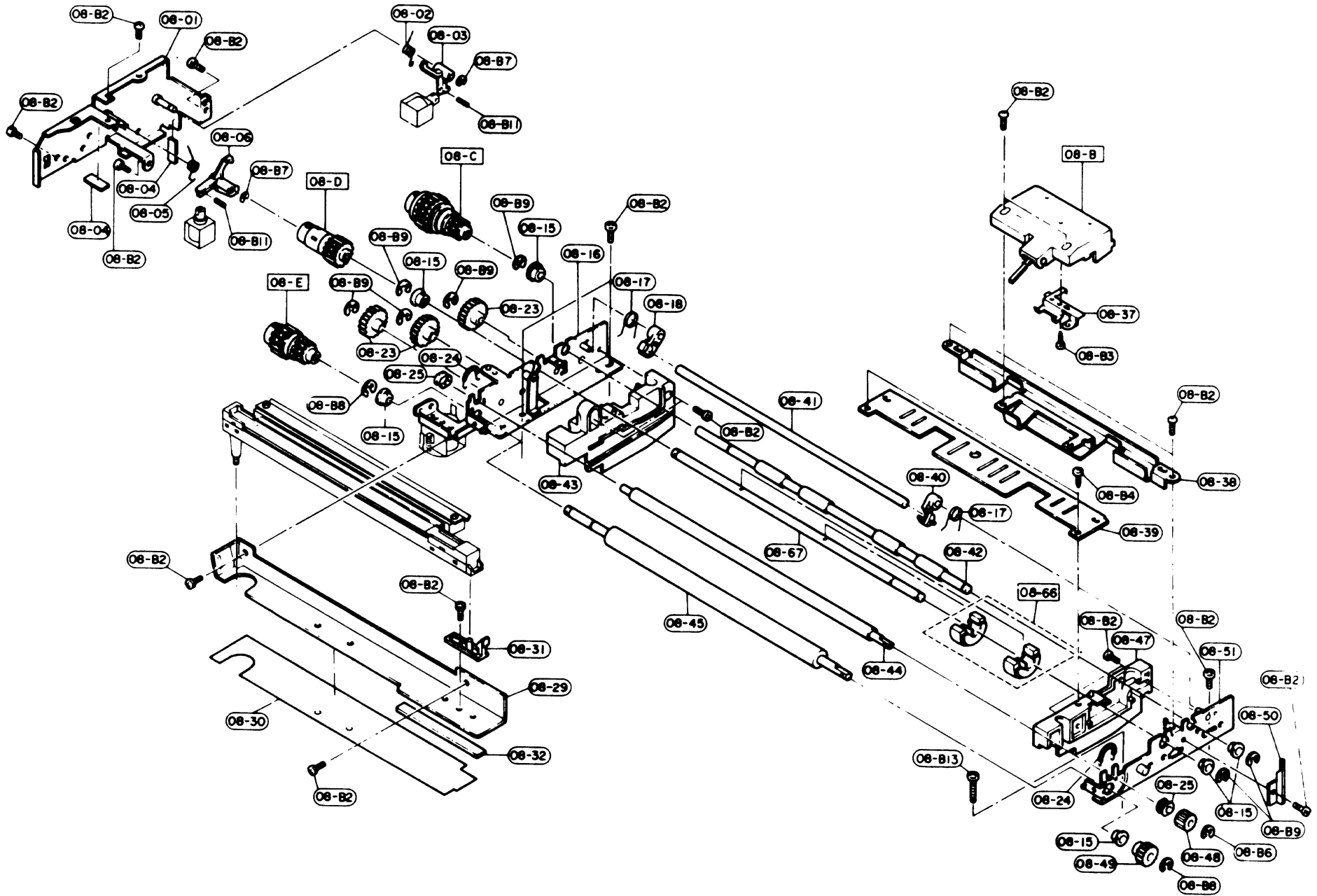


Fig.7 – Motor and Main Drive Gears



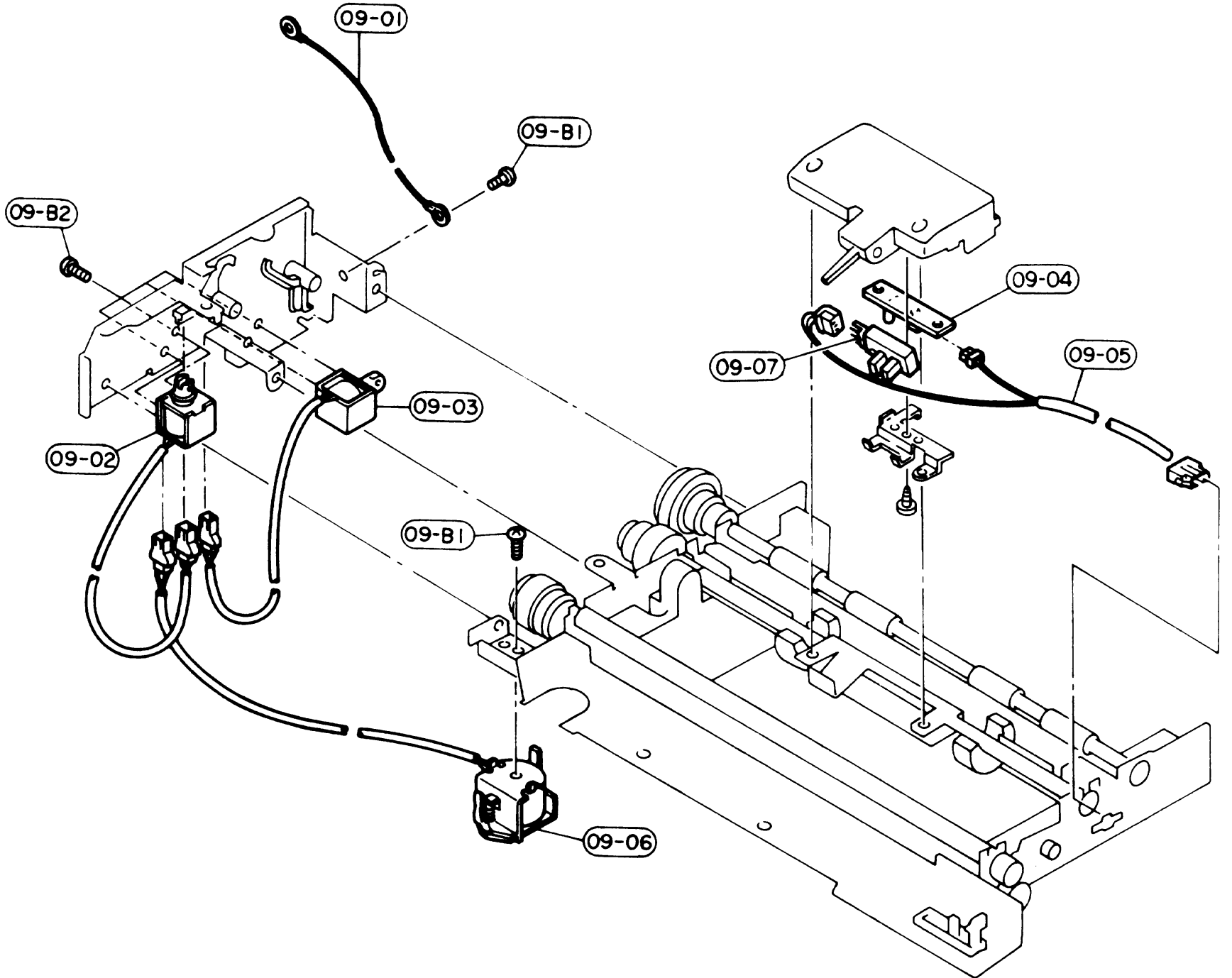
<b>Ref No.</b>	<b>Part Code</b>	<b>Description</b>	<b>Quantity</b>
07-00A	5AAYF1000*37	Assy Drive Gears	1
07-001	5EZNS180R401*01	Motor DC	1
07-002	5MMX642SL005	Plate Motor	1
07-003	5MMG138SX005	Gear Z30	1

Fig 8 - Paper-Feed Assembly



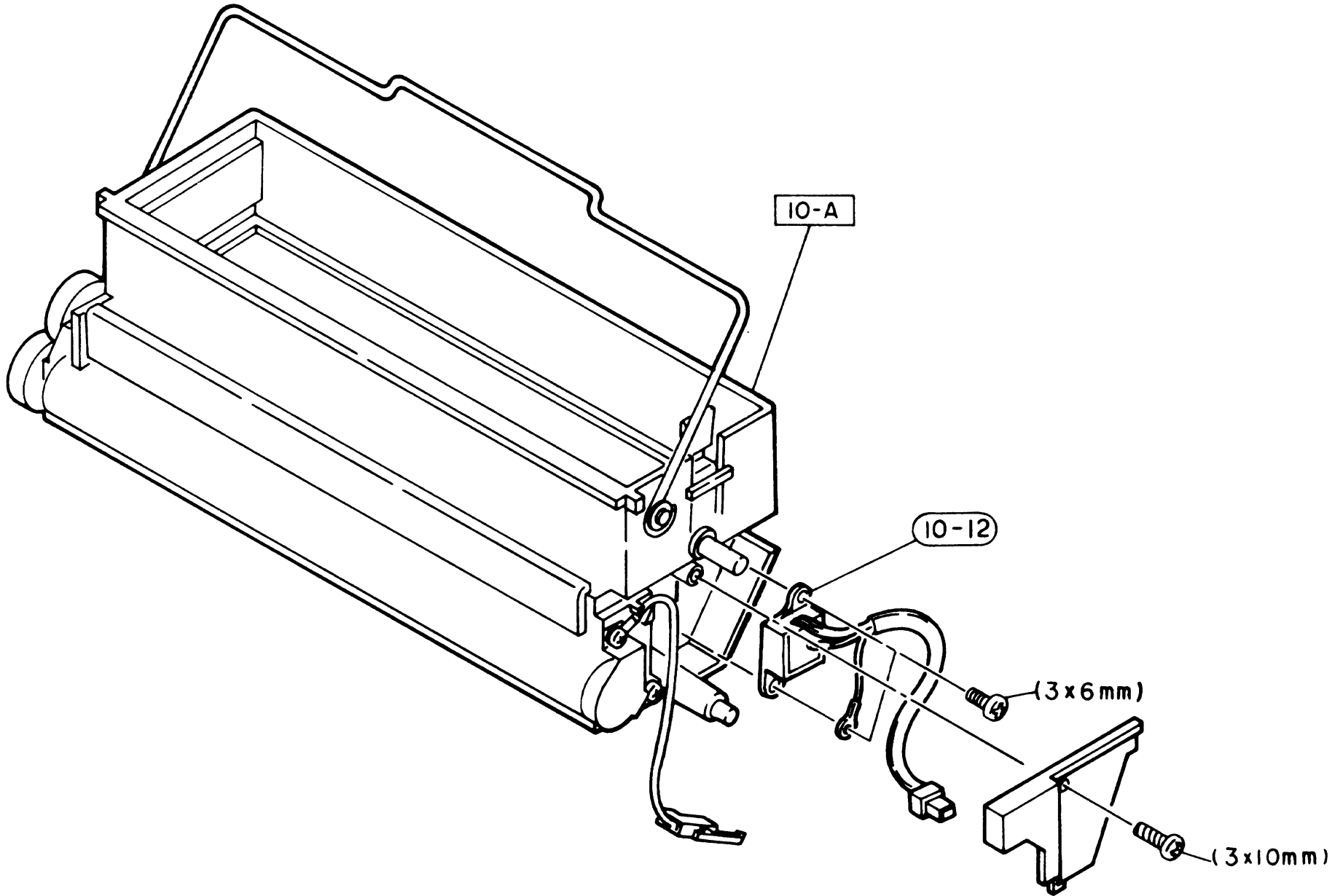
Ref No.	Part Code	Description	Quantity
08-00A	5AAYF1000*36	Paper-Feed Assembly	1
08-00B	5AAYF1000*52	Assy Cover Sensor	1
08-00C	5AAYF1010*26	Assy Clutch M-Feed	1
08-00D	5AAYF1010*27	Assy Clutch Feed	1
08-00E	5AAYF1010*28	Assy Clutch Regist	1
08-001	5MMX766SL002	Bracket Solenoid	1
08-002	5MMW171LJ004	Spring Cam M	1
08-003	5MVX442DN001	Lever Cam M	1
08-004	5MVS226RB005	Pad Solenoid	2
08-005	5MMW171LJ003	Spring Cam	1
08-006	5MVX552DN001	Lever Cam	1
08-015	5MMM176CJ003	Bush Metal KD	6
08-016	5MMX776SL001	Frame R	1
08-017	5MMW171LJ002	Spring Roller M	2
08-018	5MVX322DB001	Bush R	1
08-023	5MVG138DN011	Gear Z28	3
08-024	5MMW241LJ009	Spring Regist	2
08-025	5MMM121XJ001	Bush Roller Regist	2
08-029	5MML833SL002	Support TC	1
08-030	5MVS852K1002	Cover	1
08-031	5MVX532DD002	Guide TC	1
08-032	5MVS618RB004	Seal B	1
08-037	5MMX543LJ001	Bracket Sensor	1
08-038	5MMX865SN001	Paper Chute A	1
08-039	5MMS856SN001	Paper Chute B	1
08-040	5MVX332DB002	Bush Tension F	1
08-041	5MMX866SN002	Roller B M	1
08-042	5MMT876SN007	Roller A M	1
08-043	5MVX764SB001	Guide Cassette R	1
08-044	5MMT866SN003	Roller A Regist	1
08-045	5MMT876SN019	Roller B Regist	1
08-047	5MVX763SB003	Guide Cassette F	1
08-048	5MVG127DN017	Gear Z20	1
08-049	5MVG147DN001	Gear Z32	1
08-050	5MML531SL001	Actuator Interlock	1
08-051	5MMX775SL001	Frame F	1
08-066	5AAMF1000*05	Assy Wheel Feed	1
08-067	5MMT866SJ001	Shaft Roller Feed	1

Fig.9 – Paper-Feed Electrical



Ref No.	Part Code	Description	Quantity
09-001	5AACCNAN8GEA	Cable Assy	1
09-002	5EZSA2403010302	Solenoid Feed	1
09-003	5EZSA2403010303	Solenoid Manual	1
09-004	5APRSS005AA	Assy PWB	1
09-005	5AACCNAG4GEA	Cable Assy	1
09-006	5EZSA2403010102	Solenoid Regist	1
09-007	5ENXGP1A05HR*01	Photosensor	1

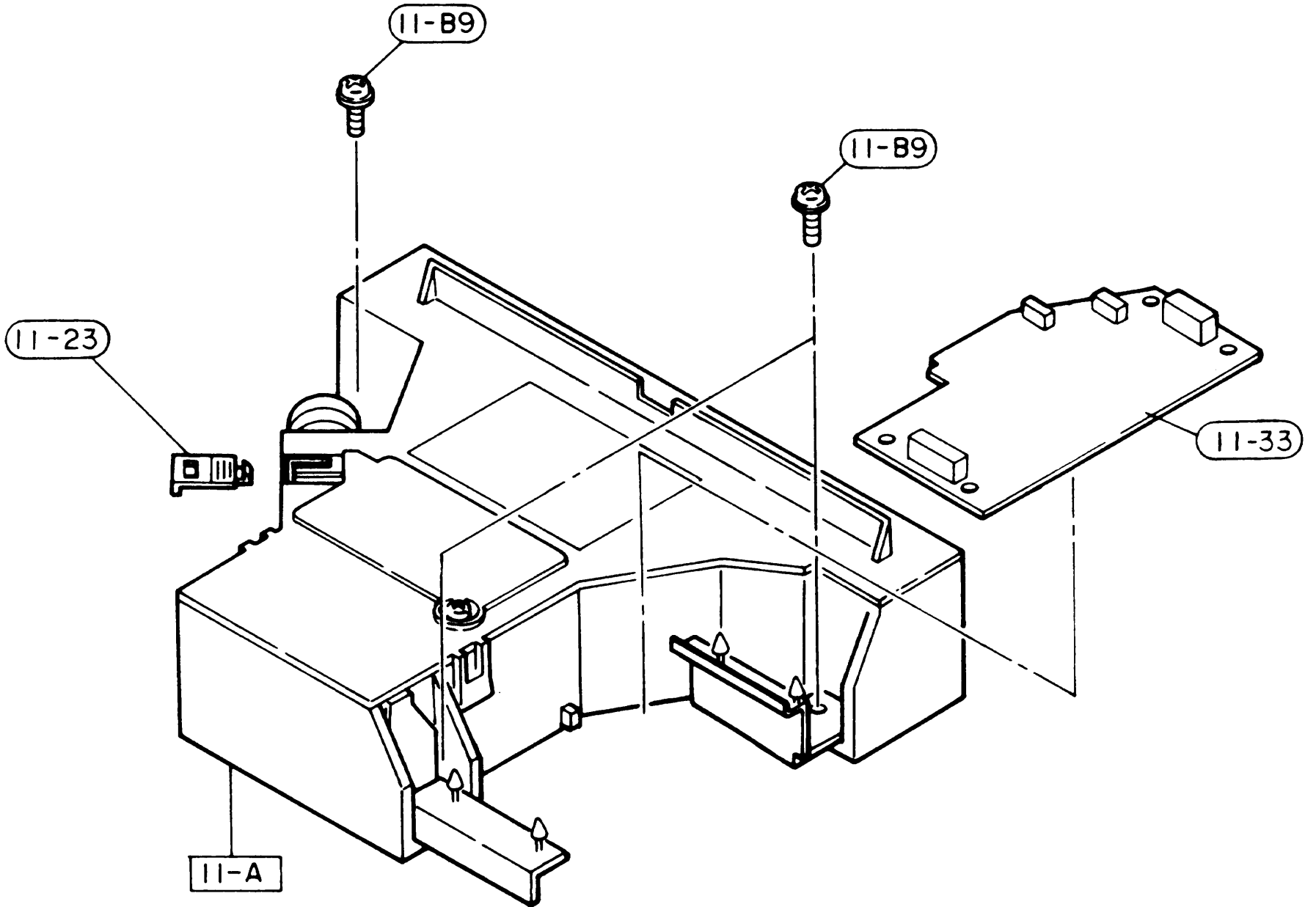
Fig.10 – Developer



<b>Ref No.</b>	<b>Part Code</b>	<b>Description</b>	<b>Quantity</b>
10-00A	DV-4	Ass'y Developer	1
10-012	5AAXTS002GEA	Sensor Toner	1

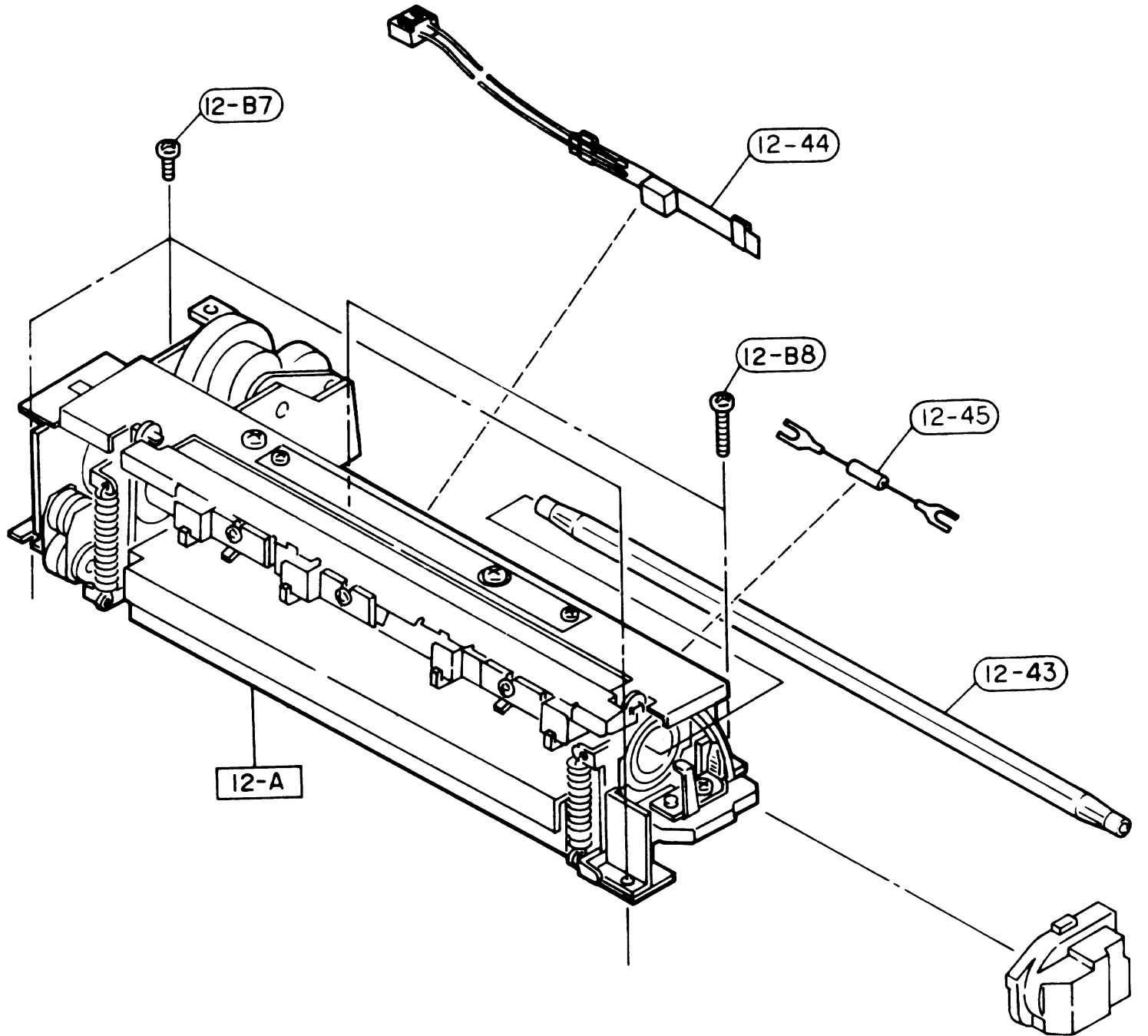


Fig.11 – Scanner



<b>Ref No.</b>	<b>Part Code</b>	<b>Description</b>	<b>Quantity</b>
11-00A	5AAYF1000*63	Assy Scn'r 220-240V	1
11-023	5MVS422SB001	Lid Adjust	1
11-033	5AAPRAPC1003AH	Assy PWB APC	1

Fig.12 – Fuser



Ref No.	Part Code	Description	Quantity
12-00A	FK-4	Assy Fuser 200-240V	1
12-043	5EZPB2413320101	Heater 800W / 220-240V	1
12-044	5AACCNAP6GEA	Thermistor	1
12-045	5AAXTF005VDA	Fuse Thermal 220-240V	1

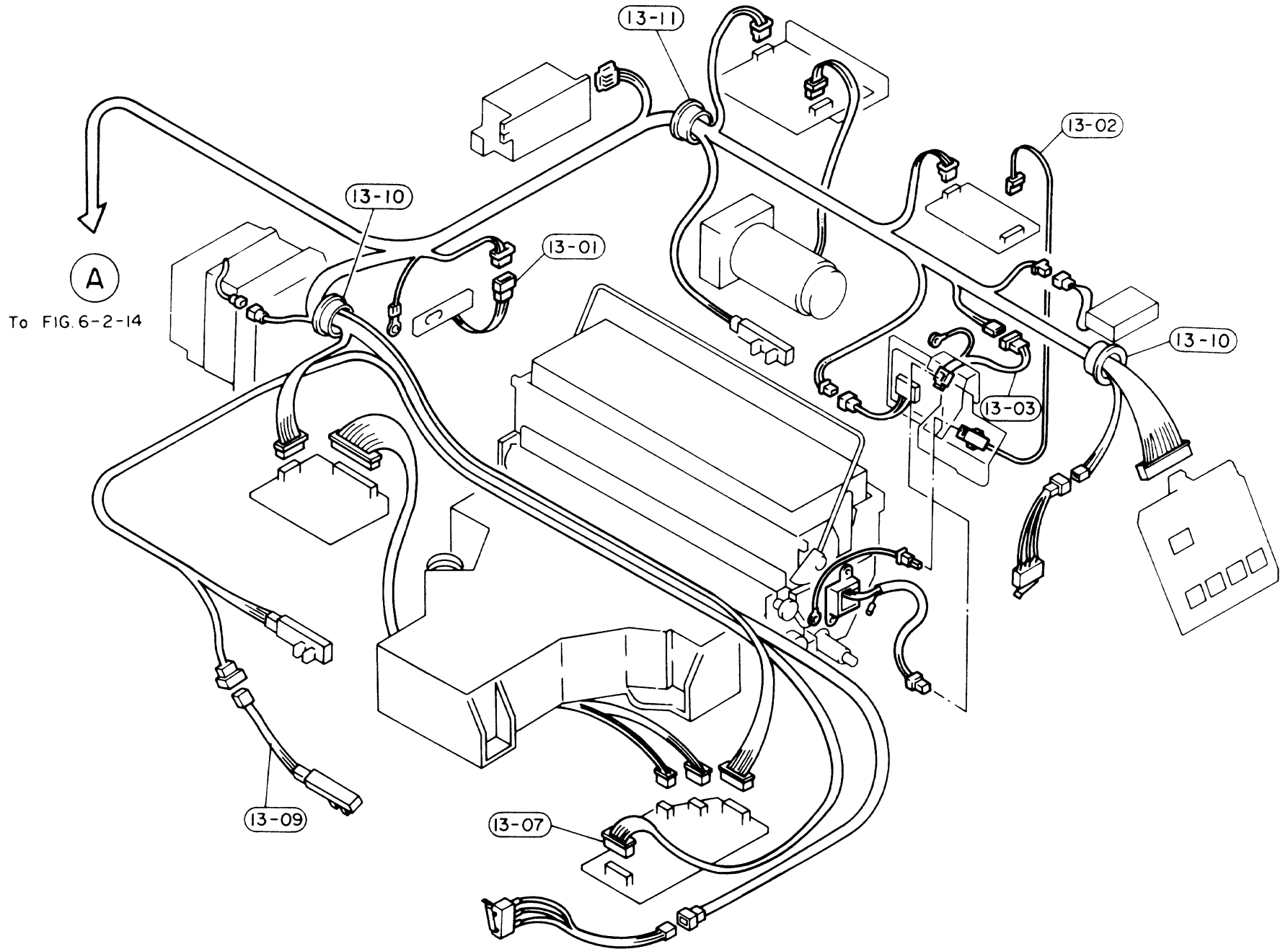
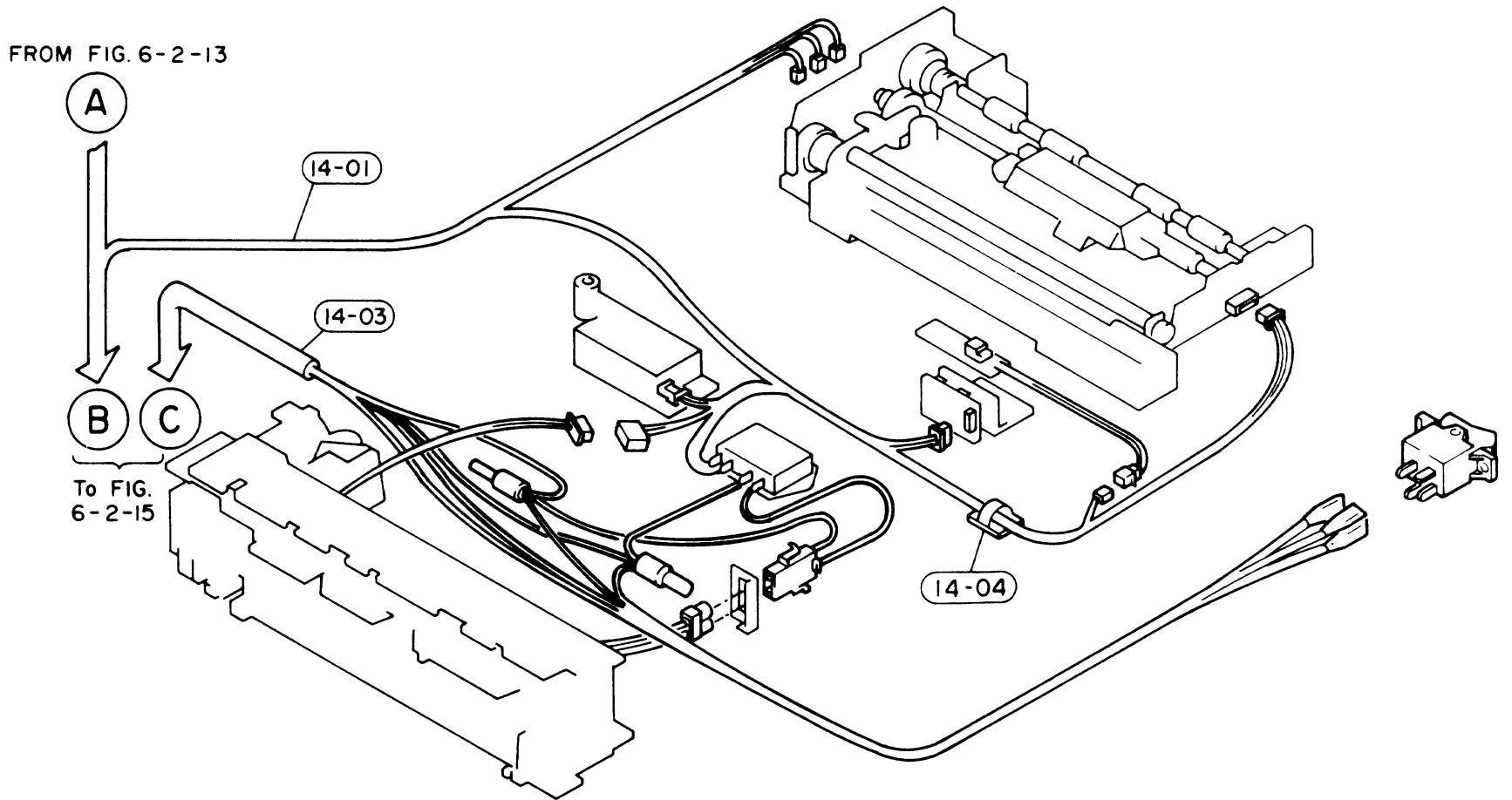


Fig.13 – Harnesses – Upper Half

<b>Ref No.</b>	<b>Part Code</b>	<b>Description</b>	<b>Quantity</b>
13-002	5AACCNCG9GEA	Harness	1
13-003	5AACCNCR7GEA	Harness	1
13-007	5AACCNCR9GEA	Harness	1
13-009	5AACCNAP2GEA	Harness	1
13-010	5AACCNAP4GEA	Strain Relief	2
13-011	5AACCNDB7GEA	Strain Relief	1

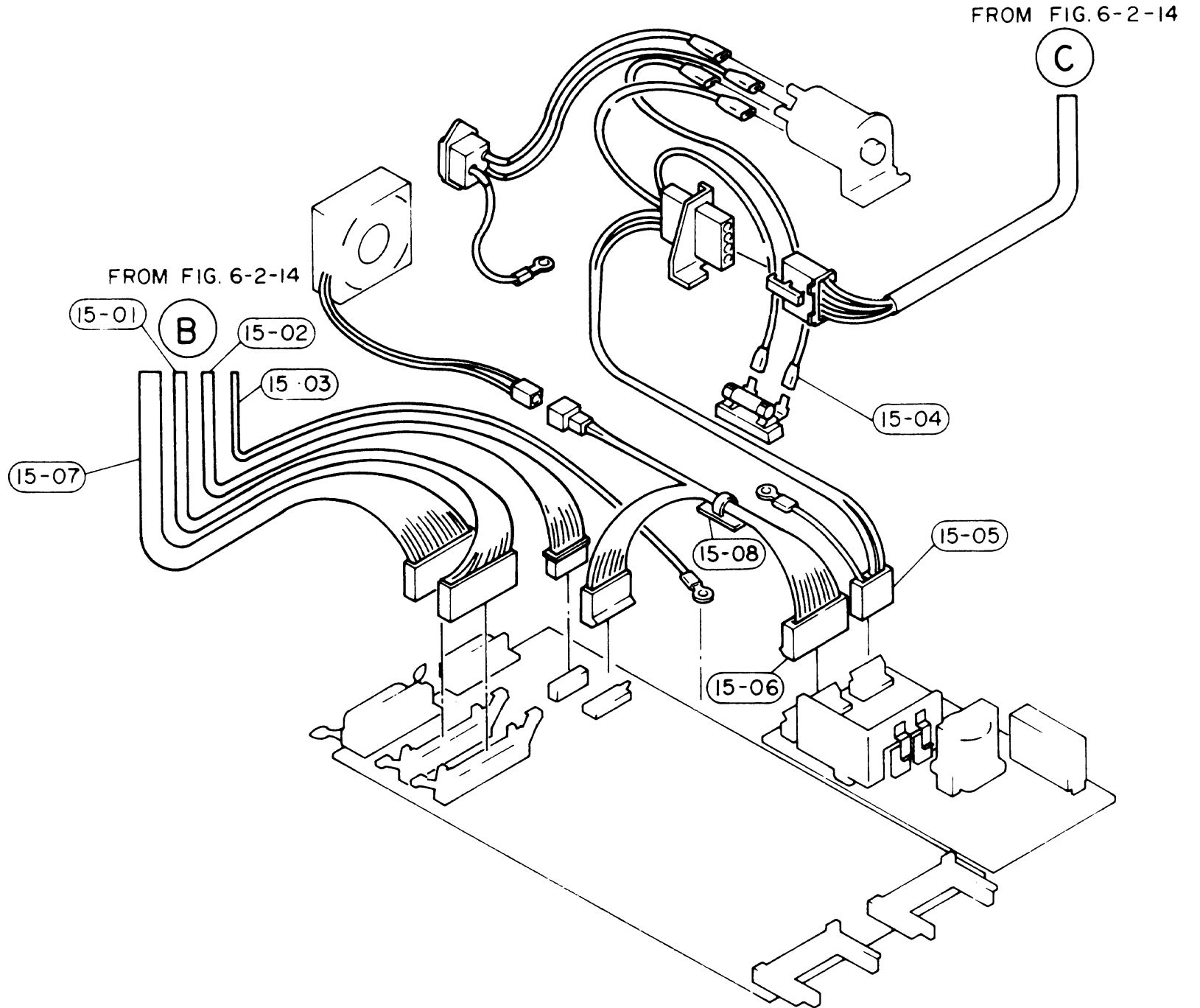
Fig.14 - Harnesses - Lower Half



<b>Ref No.</b>	<b>Part Code</b>	<b>Description</b>	<b>Quantity</b>
14-001		Harness	1
14-003		Harness	1
14-004		Clamp	1



Fig.15 - Harnesses - Controller Etc.



<b>Ref No.</b>	<b>Part Code</b>	<b>Description</b>	<b>Quantity</b>
15-001		Harness	1
15-002		Harness	1
15-003		Harness	1
15-004		Harness 220-240V	1
15-005		Harness 220-240V	1
15-006		Harness	1
15-007		Harness	1
15-008		Clamp	1